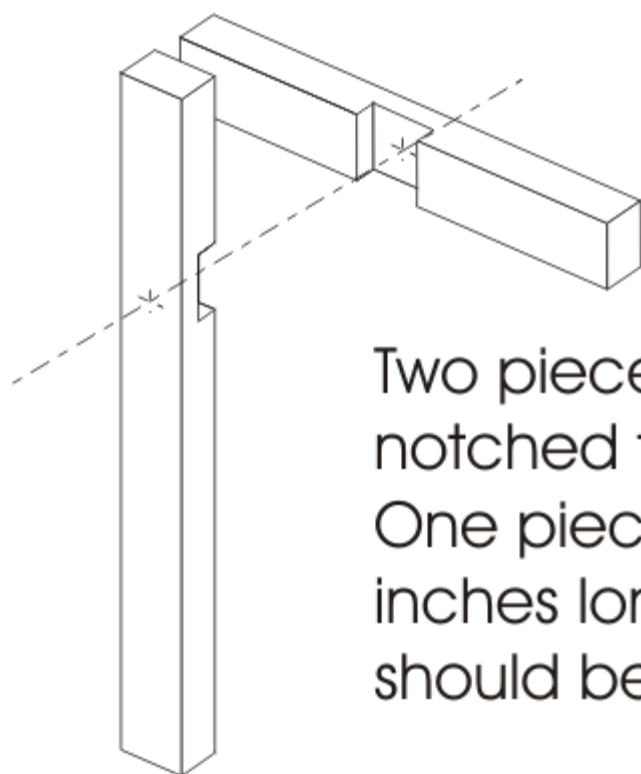


List of Materials for Crucifix Craft

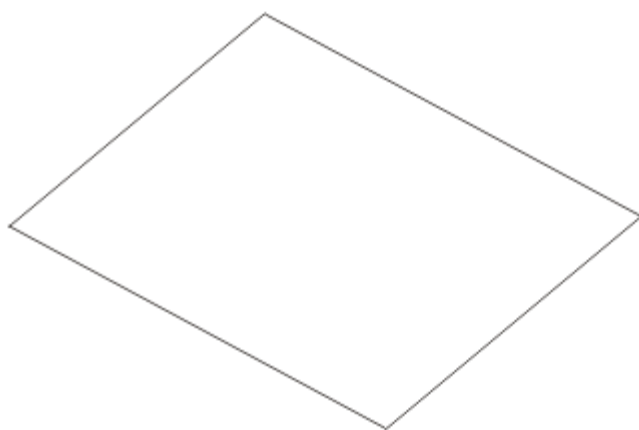


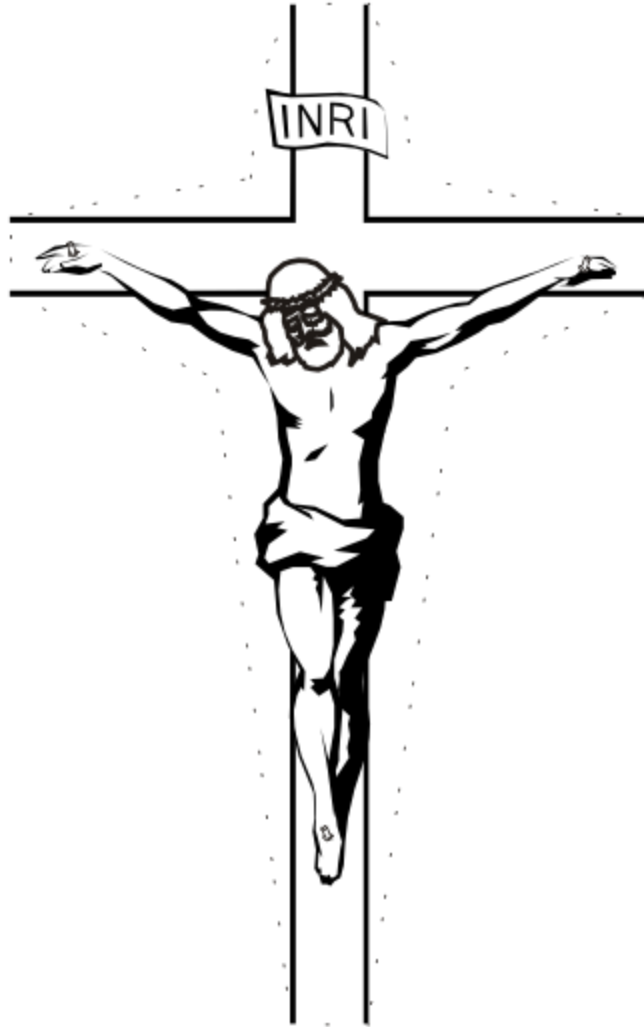
Two pieces of balsa wood notched to fit together. One piece should be 7 inches long and the other should be 4 inches long.



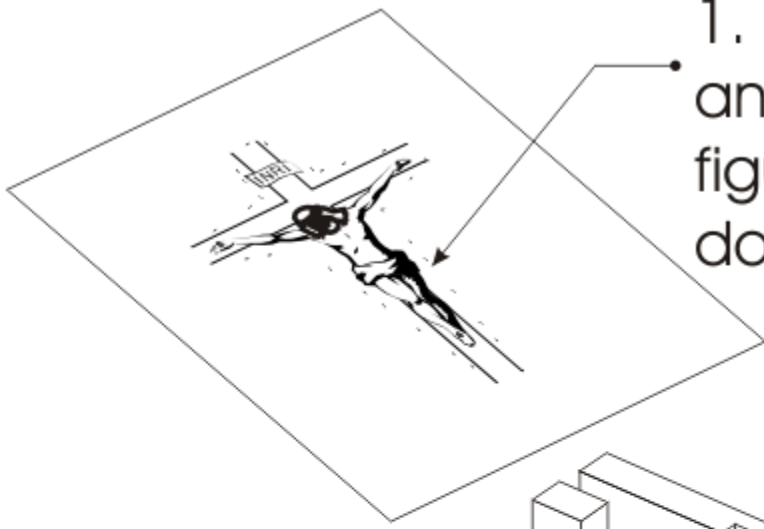
Some Play-dough

And a square piece of stiff paper.

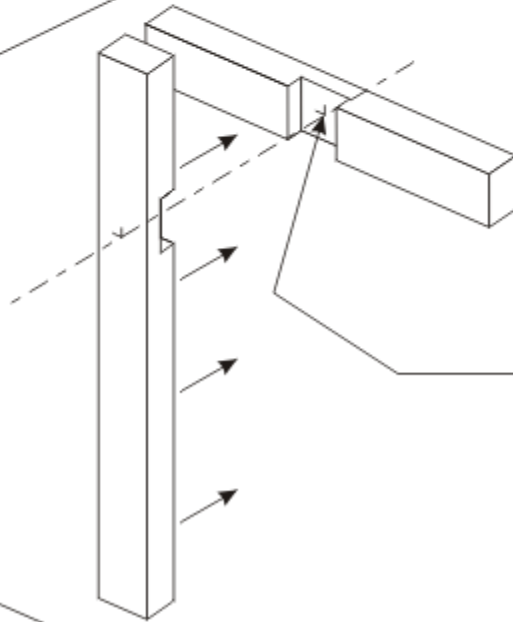




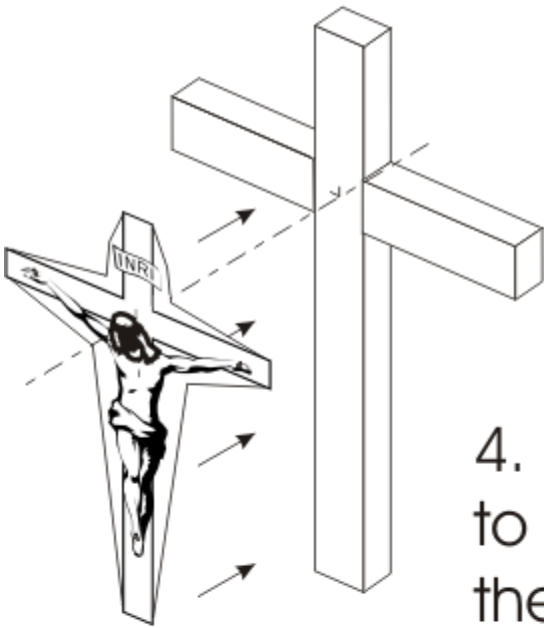
1. Color in Jesus and Cut out the figure along the dotted lines.



2. Put dab of Elmer's Glue here and then connect the wood cross pieces together.



3. Glue Jesus to the Cross.



4. Use the Play-dough to attach the cross to the rectangular piece of paper to be used as the base. The base can then be colored however the student wants to color it.

